

NAPOLEON

GAS BURNING INSERTS & VENTED LOGSETS



GAS BURNING INSERTS & VENTED LOGSETS
napoleon.com



Find your happy (fire)place.

Throughout the ages, people have gathered around fires to share in life's greatest joys. There's just something about the glow of flickering flames that makes special moments feel even warmer.

A Napoleon fireplace is uniquely designed to brighten the vibe of any room in your house. Napoleon has an incredible range of designer options to fit any vision.

A fire not only raises the warmth and ambiance of a room, it can raise the value of your home. A fireplace offers some of the highest returns of any remodeling project. And that should make you feel good all over.

And so you can keep enjoying that positive glow for years and years and years to come, every Napoleon fireplace is backed by the President's Limited Lifetime Warranty.

- Oakville™ 3 - GDI3 4 - 5
- Oakville™ 3 Glass - GDIG3 6 - 7
- Oakville™ X3 - GDIX3 8 - 9
- Oakville™ X4 - GDIX4 10- 11
- Roxbury™ 30 - GDI-30..... 12 - 13
- Roxbury™ 3600 - GI3600..... 14 - 15
- Inspiration™ ZC - GDIZC 16 - 17
- Fiberglow™ Log Series - GL18/24/30E 18 - 19
- Verso™ Log Series - GL22/28/32 20 - 21
- Napoleon's Outstanding Features 22 - 23
- Detailed Specifications & Line Drawings 24 - 27



Cover Photo - Oakville™ X4 shown with Small Arched 4-Sided Black Faceplate, Medium 3-Sided Backerplate and Newport™ Decorative Brick Panels.



Napoleon's Hot Spots Research Study delivers insights on key areas of the home. In particular, how to help you add relaxation, social interaction and functionality to rooms to enhance your memorable moments.

Throughout this brochure we will share some of our insights with you. For more inspiration visit napoleonfireplaces.com/inspiration.



Oakville X3 shown with Small Arched 4-Sided Black Faceplate and Large 3-Sided Backerplate

Oakville™ 3

Style, Comfort and Efficiency

The Napoleon Oakville™ 3 Gas Fireplace Insert offers many standard features including a premium SPLIT OAK log set and "H" style burner that produces a full firebox of flames! The clean face design, flush finish accessories and endless design opportunities makes this perfect for smaller living spaces. The Oakville™ 3 is great for home owners who want the cost saving benefits of Zone Heating (heating the room you use the most) plus the benefit of replacing an old drafty masonry fireplace with an efficient heating source.

Features & Options



Premium Split Oak Logset (included)



Small 3-Sided Faceplates
Available in 4 finishes*
For use with the 3-sided backerplates



Small 4-Sided Faceplates
Available in 4 finishes*
For use with the 3 or 4-sided backerplates



Large 3-Sided Faceplates
Available in 4 finishes*
For use with the 3-sided backerplates



Large 4-Sided Faceplates
Available in 4 finishes*
For use with the 4-sided backerplate



Small Arched 4-Sided Faceplates
Available in 4 finishes*
For use with the 3-sided backerplates



Cast Iron Surround



3-Sided Backerplates
Available in black
Available in Small, Medium & Large



4-Sided Backerplate
Available in Large



*Four Finish Options
Charcoal, Copper, Gun Metal and Black





GDI3

Up to 24,500 BTU's
Viewing Area: 22 11/16" W x 15" H
For more detailed specifications
on this unit, see page 24



MIRRO-FLAME™ Porcelain Reflective Radiant Panels (optional)



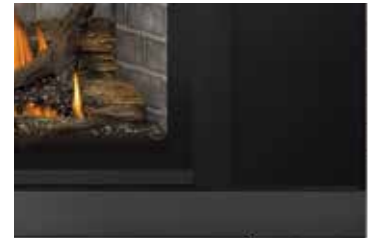
Old Town Red™ Brick Panels (optional)



Westminster™ Brick Panels (optional)



Newport™ Standard Brick Panels (optional)



Riser Box (optional)



Blower Kit (optional)



Remote Controls (optional)

Oakville™ 3 shown with Large 4-Sided Gun Metal Faceplate, Large 4-Sided Backerplate and Old Town Red™ Brick Panels.

Oakville™ 3 Glass

Economical Modern Elegance

With all the features of the Oakville™ 3 plus Napoleon's exclusive NIGHT LIGHT™ and MIRRO-FLAME™ Porcelain Reflective Radiant Panels, the Oakville™ 3 **Glass** is the perfect solution for an economical heating source complemented with the modern elegance of a sparkling Topaz CRYSTALINE™ ember bed. A multitude of decorative designer accessories are also available to match any room in your home. Heating smarter and saving energy doesn't have to mean compromising great design.

Features & Options



Topaz CRYSTALINE™ Ember Bed (included)
Glass Embers also available in: Amber, Black, Blue, Clear and Red



Clear Glass Beads (optional)
Glass Beads also available in: Amber, Black, Blue, Clear and Red



Small 3-Sided Faceplates
Available in 4 finishes*
For use with the 3-sided backerplates



Small 4-Sided Faceplates
Available in 4 finishes*
For use with the 3 or 4-sided backerplates



Large 3-Sided Faceplates
Available in 4 finishes*
For use with the 3-sided backerplates



Large 4-Sided Faceplates
Available in 4 finishes*
For use with the 4-sided backerplate



Small Arched 4-Sided Faceplates
Available in 4 finishes*
For use with the 3-sided backerplates



Cast Iron Surround



3-Sided Backerplates
Available in black
Available in Small, Medium & Large



4-Sided Backerplate
Available in Large



*Four Finish Options
Charcoal, Copper, Gun Metal and Black





GDIG3

Up to 24,000 BTU's
Viewing Area: 22 11/16" W x 15" H
For more detailed specifications
on this unit, see page 24

Oakville 3 Glass shown with Small 3-Sided Black Faceplate, Large 3-Sided Backerplate and MIRRO-FLAME™ Porcelain Reflective Radiant Panels.



MIRRO-FLAME™ Porcelain Reflective Radiant Panels (included)



Riser Box (optional)



Blower Kit (optional)



eFIRE Enabled With App (included)



Remote Control (included)

Oakville™ X3

Radiant Warm Glow

The Oakville™ X3 is a deluxe Gas Fireplace Insert which offers the same features as the Oakville™ 3 as well as a thermostatic remote, an exclusive NIGHT LIGHT™ that radiates a warm glow throughout the room, even when the fireplace is off and additional BTU's for added heat. Directional baffles increase air flow to help drive the heat into your home for maximum efficiency. The perfect solution for replacing and updating an inefficient old masonry setting. PLUS this insert comes equipped with eFIRE Bluetooth technology for your added convenience.

Features & Options



Premium Split Oak Logset
(included)



Small 3-Sided Faceplates
Available in 4 finishes*
For use with the 3-sided backerplates



Small 4-Sided Faceplates
Available in 4 finishes*
For use with the 3 or 4-sided backerplates



Large 3-Sided Faceplates
Available in 4 finishes*
For use with the 3-sided backerplates



Large 4-Sided Faceplates
Available in 4 finishes*
For use with the 4-sided backerplate



Small Arched 4-Sided Faceplates
Available in 4 finishes*
For use with the 3-sided backerplates



Cast Iron Surround



3-Sided Backerplates
Available in black
Available in Small, Medium & Large



4-Sided Backerplate
Available in Large



*Four Finish Options
Charcoal, Copper, Gun Metal and Black





GDIX3

Up to 30,000 BTU's
 Viewing Area: 22 11/16" W x 15" H
 For more detailed specifications
 on this unit, see page 24

Oakville™ X3 shown with Large 4-Sided Black Faceplate and MIRRO-FLAME™ Porcelain Reflective Radiant Panels.



MIRRO-FLAME™ Porcelain Reflective Radiant Panels (optional)



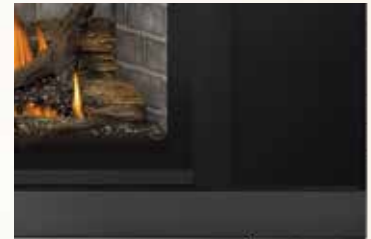
Old Town Red™ Brick Panels (optional)



Westminster™ Brick Panels (optional)



Newport™ Standard Brick Panels (optional)



Riser Box (optional)



Blower Kit (optional)



Remote Control (included)



eFIRE Enabled With App (included)

Oakville™ X4

Stunning Triple Flame Pattern

The largest in the Oakville™ Series the impressive Oakville™ X4 Gas Fireplace Insert has an exclusive dual burner split flow system that results in a firebox filled with a stunning triple flame pattern, and allows the option of independently operating the front and rear burners from 16,000 to 40,000 BTU's. A superior heat circulating blower comes included with this model and when paired with the Oakville™'s air flow improvement directional baffles generates maximum blower efficiency. A stunning triple flame and massive 518 sq. in. viewing area makes this fireplace insert a perfect choice for larger rooms where a passion for luxury is evident.

Features & Options



Premium Split Oak Logset
(included)



Small 3-Sided Faceplates
Available in 4 finishes*
For use with the 3-sided backerplates



Small 4-Sided Faceplates
Available in 4 finishes*
For use with the 3 or 4-sided backerplates



Large 3-Sided Faceplates
Available in 4 finishes*
For use with the 3-sided backerplates



Large 4-Sided Faceplates
Available in 4 finishes*
For use with the 4-sided backerplate



Small Arched 4-Sided Faceplates
Available in 4 finishes*
For use with the 3-sided backerplates



3-Sided Backerplates
Available in black
Available in Small, Medium & Large



4-Sided Backerplate
Available in Large



*Four Finish Options
Charcoal, Copper, Gun Metal and Black





GDIX4

Up to 40,000 BTU's

Viewing Area: 27 3/4" W x 18 11/16" H

For more detailed specifications on this unit, see page 25



MIRRO-FLAME™ Porcelain Reflective Radiant Panels (optional)



Old Town Red™ Brick Panels (optional)



Westminster™ Brick Panels (optional)



Newport™ Standard Brick Panels (optional)



Riser Box (optional)



Blower Kit (included)



Napoleon's Hot Spots Research Study divulges how over 90% of people surveyed strongly desire a fireplace in the family / living room.



Remote Control (included)



eFIRE Enabled With App (included)

The Oakville™ X4 shown with Large 4-Sided Gunmetal Faceplate and 4-Sided Backerplate

Roxbury™ 30

An Elegant Heater For Any Lifestyle

The Roxbury™ 30 easily transforms your existing masonry or prefabricated fireplace into an efficient heating source, eliminating drafts and ultimately saving you money. Napoleon's exclusive PHAZER® logs, charcoal embers, heat activated variable speed blower system, realistic YELLOW DANCING FLAMES® and elegant designer options turn your room into a tranquil getaway. The state-of-the-art pan burner system guarantees a wide range of heat output with adjustable flame/heat control giving you the heat you need with a traditional masonry look and feel.

Features & Options



Andirons Painted Black



F45 & F60 Remote Controls On/Off



Louvres Four Color Options



Cast Iron Surrounds Two Finish Options



Sandstone Brick Panels



MIRRO-FLAME™ Porcelain Reflective Radiant Panels



Mineral Rock Kit



Black Surround



Brushed Stainless Surround



Deluxe Back 6" Flashing



Deluxe Black 9" Flashing



Black Bevelled 6" Flashing



Arched Black Cast Iron Surround





GDI-30

Up to 24,500 BTU's

Viewing Area: 30 1/16" W x 21 3/4" H

For more detailed specifications on this unit, see page 26

Roxbury™ 3600

Economical & Versatile

Here's the secret to a warmer, cozier home! Retrofit your drafty old fireplace with this beautiful Napoleon gas insert. The Roxbury™ 3600 is especially designed to fit smaller wood burning, zero clearance fireplaces and comes complete with a heat activated variable speed blower system. Create the exact designer touch you have been looking for with optional choices including flashings and surrounds available in various styles and finishes.

Features & Options



Andirons Painted Black



F45 & F60 Remote Controls On/Off



Louvres Four Color Options



Cast Iron Surrounds Two Color Options



Decorative Sandstone Brick Panels



MIRRO-FLAME™ Porcelain Reflective Radiant Panels



Painted Black Surround



Brushed Copper Surround



Brushed Copper Surround with Deluxe Black 6" Flashing



Black 9" Flashing



Black Bevelled 6" Flashing



Arched Black Cast Iron Surround



Fire and light have served as a beacon for centuries, visitors get a feeling of warmth and hospitality.

GI3600

Up to 24,000 BTU's

Viewing Ares: 25" W x 22" H

For more detailed specifications on this unit, see page 26

Inspiration™ ZC

Smallest Fireplace Opening, Large Viewing Area

The multi-level advanced burner technology of the Inspiration™ ZC produces beautiful, realistic YELLOW DANCING FLAMES® and the exclusive PHAZER® log set and charcoal ember bed are so realistic, they will be mistaken for a real wood fire. This award winning gas insert is designed to fit the smallest fireplace openings but offers a large ceramic glass viewing area. The Inspiration™ ZC comes complete with a heat activated variable speed blower system making it the perfect gas insert for any room in your home.

Features & Options



Andirons Painted Black



F45 & F60 Remote Controls On/Off



Cast Iron Surrounds Two Finish Options



Decorative Sandstone Brick Panels



MIRRO-FLAME™ Porcelain Reflective Radiant Panels



Painted Black Surround



Brushed Stainless Surround



Contemporary Black Trim



Textured Satin Black 3 Sided Aluminum Trim



Black 3 Sided Flashing



Black 4 Sided Flashing





GDIZC

Up to 24,000 BTU's

Viewing Area: 25" W x 14 1/2" H

For more detailed specifications on this unit, see page 25

Fiberglow™ Vented Gas Log Sets

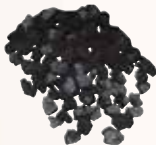
Ambiance Your Home Deserves

No need to split and haul wood to your masonry fireplace, simply add a realistic Napoleon Gas Log Set. In today's demanding society where life never seems to slow down, we crave the simple pleasures that bring back relaxation, comfort and treasured times with family and friends. Napoleon's gas log sets feature an electronic ignition, a clean burning infrared radiant heat burner system and are available in three sizes.

Features & Options



F45 & F60 Remote Controls On/Off



Lava Rocks / Cinders (included)



Cast Iron Grate (included)



GL18E - 18" Log Set

Up to 55,000 BTU's
16" H x 20 3/8" W x 13 1/4" D



GL24E - 24" Log Set

Up to 60,000 BTU's
16" H x 26" W x 13 1/4" D



GL30E - 30" Log Set

Up to 65,000 BTU's
16" H x 30" W x 13 1/4" D

For more detailed specifications on these units, see page 27

***VENT FREE LOG SETS ALSO AVAILABLE.**
Vent free appliances not approved in Canada and some states.





Fiberglow™ 18 shown with Grate, Andirons, Lava Rocks and Cinders.



Fiberglow™ 30 shown with Grate, Andirons, Lava Rocks and Cinders.

Verso™ Vented Gas Log Sets

Two Looks In One

Napoleon's Reversible Gas Log Sets can be configured for an authentic looking split-wood fire, a natural looking tree bark appearance or a combination of both. Featuring massive flames, reversible PHAZER® logs, electronic ignition with battery back-up and high heat output, your fireplace will look like a real wood burning fireplace without the work and maintenance of using real wood. The burner pan is adjustable to allow more glowing embers to be seen. Controls are hidden but easy to access, and an optional remote control or remote wall switch are available for added convenience.



Charcoal Lumps, Charcoal Embers & Glowing Embers (included)



F45 On/Off Remote Control



Remote Control Kit
F45 remote, receiver, batteries, remote cradle and two ceramic fibre logs Two Color Options



Natural Tree Bark (side one)



Authentic Split Wood (side two)



GL22 - 22" Log Set

Up to 70,000 BTU's
6 11/16" H x 22" W x 11 3/8" D



GL28 - 28" Log Set

Up to 80,000 BTU's
6 7/8" H x 28" W x 11 3/8" D



GL32 - 32" Log Set

Up to 90,000 BTU's
6 7/8" H x 32" W x 11 3/8" D

For more detailed specifications on these units, see page 27





Verso™ 28 shown with Natural Tree Bark side, Charcoal Embers, Glowing Embers and Charcoal Lumps.



Verso™ 32 shown with Authentic Split-Wood side, Charcoal Embers, Glowing Embers and Charcoal Lumps.

Outstanding Features

of Napoleon's Advanced Technology



Advanced Burner Technology

Napoleon's sophisticated burner system offers superior flame technology. Strategically placed burner ports create the most realistic YELLOW DANCING FLAMES® in the industry.

Finely Tuned Precision Valves

Surrounded with a protective cast aluminum jacket, the precision valves allow for ultimate reliability and 100% SAFE GUARD™ gas control system.

Minimum 30% savings on heating costs with Zone Heating



Zone Heating means you are heating the rooms that you use the most with an alternate heat source, like a Napoleon gas fireplace insert. Zone Heating is the obvious solution for families concerned about rising fuel costs.

Outstanding Craftsmanship

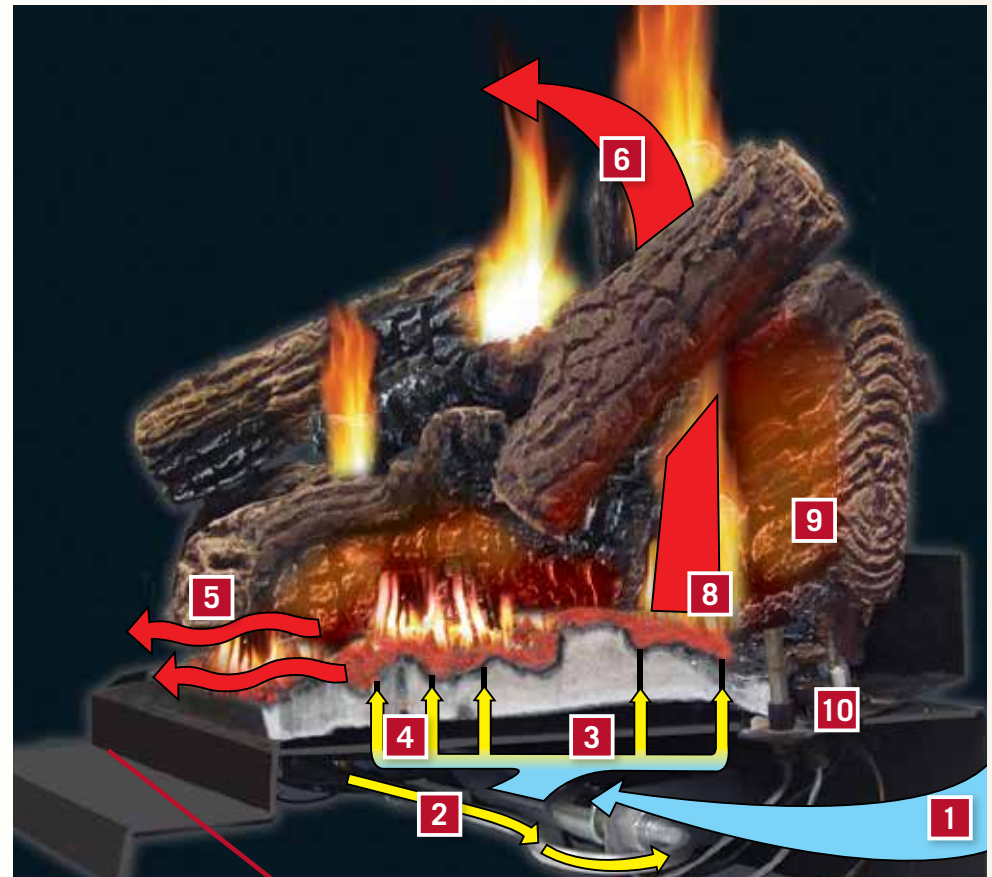
Fine details are designed in every aspect of Napoleon fireplaces... individually handcrafted with pride of excellence to last a lifetime.

Safety Screens

Napoleon, leaders in design & technology have developed premium safety screens that are minimally visible and therefore aesthetically pleasing for every gas appliance to ensure ultimate safety and peace of mind for you and your family.

Outstanding Features of Napoleon's Fiberglow™ Gas Log Sets

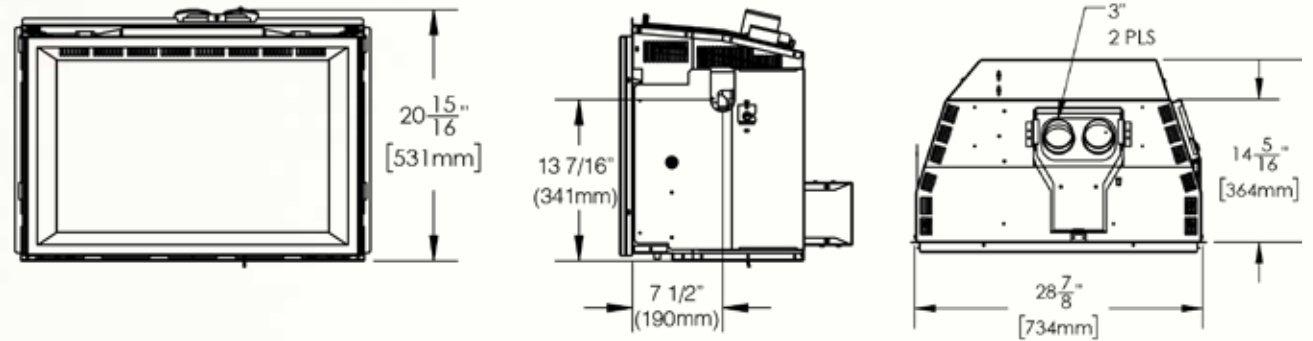
1. Air flows towards the air intake opening.
2. Natural gas or propane flow into a precisely calibrated SIT safety valve.
3. Air and fuel mix within the venturi tube.
4. The perfect blend of fuel and air mixture travels through the burner ports, strategically placed to begin the process of creating the most realistic flames in the industry.
5. Infrared heat from the exclusive PHAZERAMIC™ burner and ember bed provides up to 65,000 BTU's (GL30E).
6. Infrared heat technology and curved rear log design directs heat back into the room.
7. Controls are hidden from view but easy to access. The added feature of an on/off switch is conveniently located at the front side.
8. Flame sensor provides 100% SAFE GUARD™ system, quickly and automatically shutting off the gas supply for your peace of mind.
9. Electronic ignition with battery back-up ensures reliability without the need for electricity.
10. Ignition system is easy to operate with a digital remote control, wall switch or wall thermostat.



Oakville™ 3

Shown on pages 4 - 5

*Accessories may change unit dimensions



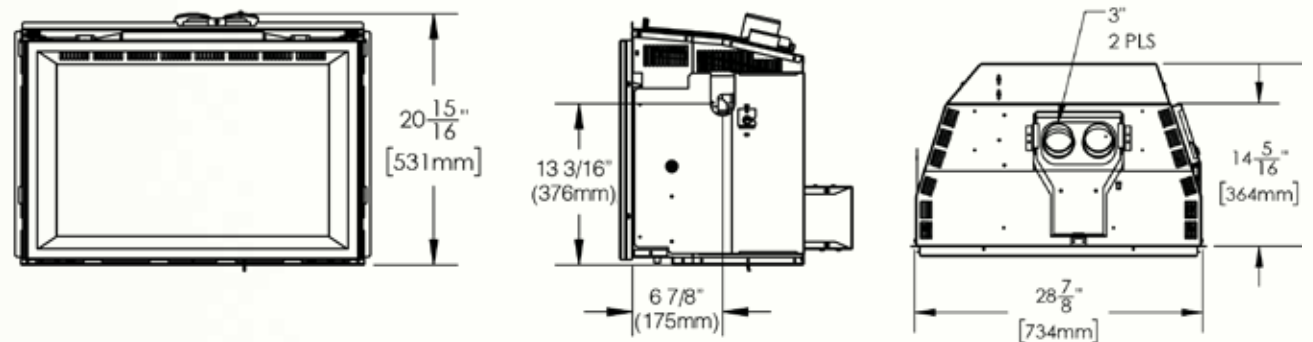
Model	BTU's (Input)	Venting 3" x 3"	Height		Front Width		Depth		Glass Type	Viewing Area		Efficiencies		Blower	Mobile Home Certified	Electronic Ignition
			Actual	Minimum Opening	Actual	Minimum Opening	Actual	Minimum Opening		Height	Width	EnerGuide	Steady State			
GDI3	24,500	Top	20 15/16"	21 1/2"	28 5/8"	29"	14 3/8"	14 3/8" *	Ceramic	15"	22 11/16"	55%	55.22%	Optional	Yes	No

* Must add 4" (102mm) for optional blower
Certified under Canadian and American National Standards.

Oakville™ 3G & X3

Shown on pages 6 - 9

*Accessories may change unit dimensions



Model	BTU's (Input)	Venting 3" x 3"	Height		Front Width		Depth		Glass Type	Viewing Area		Efficiencies		Blower	Mobile Home Certified	Electronic Ignition
			Actual	Minimum Opening	Actual	Minimum Opening	Actual	Minimum Opening		Height	Width	EnerGuide	Steady State			
GDIG3	24,000	Top	20 15/16"	21 1/2"	28 5/8"	29"	14 3/8"	14 3/8" *	Ceramic	15"	22 11/16"	61.7%	66.42%	Optional	Yes	Yes
GDIX3	30,000	Top	20 15/16"	21 1/2"	28 5/8"	29"	14 3/8"	14 3/8" *	Ceramic	15"	22 11/16"	61.8%	66.84%	Optional	Yes	Yes

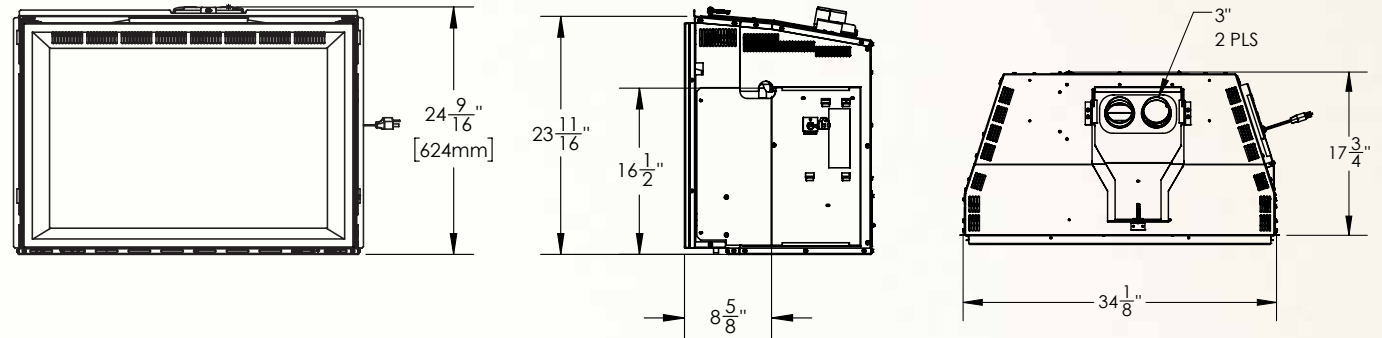
* Must add 4" (102mm) for optional blower
Certified under Canadian and American National Standards.

Figures may vary with individual conditions such as floor plan layout, insulation value/heat loss of the house and geographical location.
Measurements to be used as a guide only. Consult your owner's manual for complete and up-to-date installation instructions and proper clearances to combustible materials.

Oakville™ X4

Shown on pages 10 - 11

*Accessories may change unit dimensions



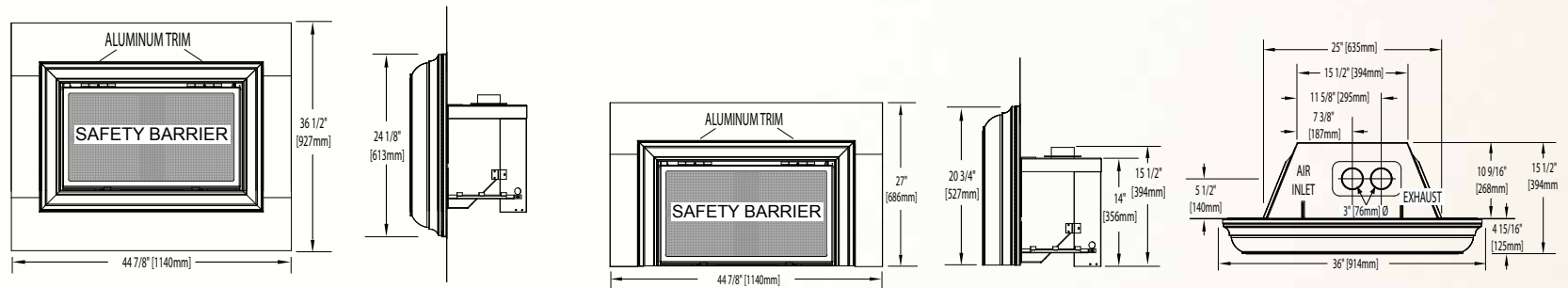
Model	BTU's (Input)		Venting 3" x 3"	Height		Front Width		Depth		Glass Type	Viewing Area		Efficiencies		Blower	Mobile Home Certified	Electronic Ignition
				Actual	Minimum Opening	Actual	Minimum Opening	Actual	Minimum Opening		Height	Width	EnerGuide	Steady State			
GDIX4	40,000		Top	24 9/16"	24 3/4"	34 1/8"	34 5/16"	18 3/4"	18 15/16" *	Ceramic	18 11/16"	27 3/4"	61.5%	66.23%	Included	Yes	Yes

* Must add 4" (102mm) for optional blower
Certified under Canadian and American National Standards.

Inspiration™ ZC

Shown on pages 16 - 17

*Accessories may change unit dimensions



Model	BTU's (Input)		Venting	Height			Front Width		Depth		Glass Type	Viewing Area		Efficiencies			Blower	Mobile Home Certified	Electronic Ignition
	Natural Gas	Propane		Actual (Three- Sided)	Actual (Four-Sided)	Minimum Opening	Actual	Minimum Opening	Actual	Minimum Opening		Height	Width	EnerGuide	AFUE	Steady State			
GDIZC	14 - 24,000	15 - 24,000	Top	20 3/4"	24 1/8"	14 1/2"	36"	25"	15 1/2"	11"	Ceramic	15 5/8"	28 1/8"	65.5%	65%	85%	Included	Yes	No

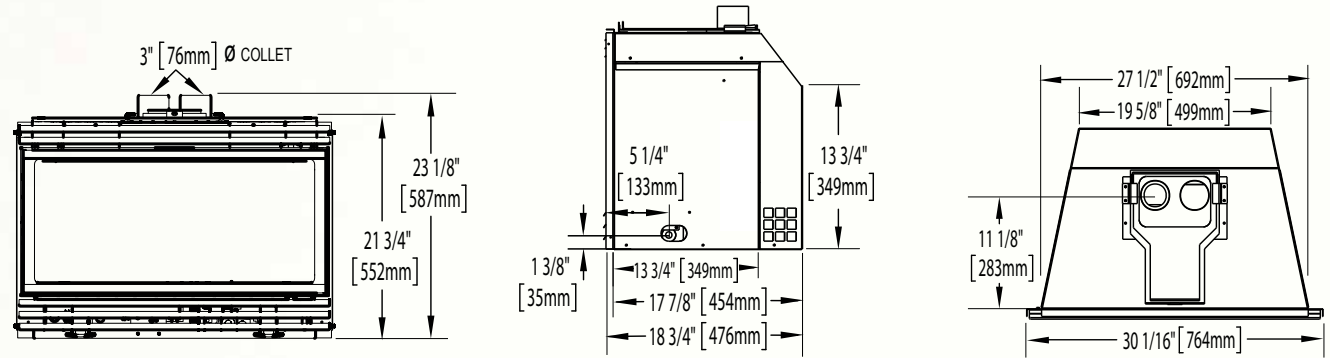
Certified under Canadian and American National Standards.

Figures may vary with individual conditions such as floor plan layout, insulation value/heat loss of the house and geographical location. Measurements to be used as a guide only. Consult your owner's manual for complete and up-to-date installation instructions and proper clearances to combustible materials.

Roxbury™ 30

Shown on pages 12 - 13

*Accessories may change unit dimensions



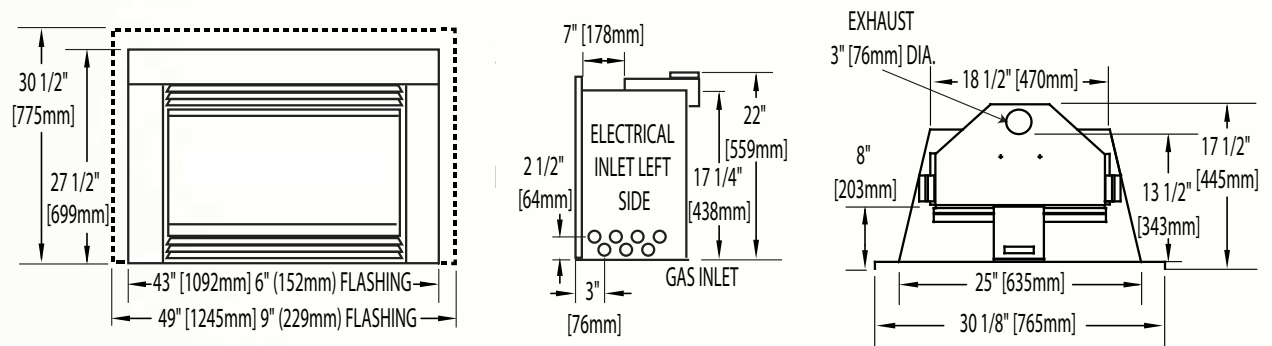
Model	BTU's (Input)		Venting	Height		Front Width		Depth		Glass Type	Viewing Area		Efficiencies			Blower	Mobile Home Certified	Electronic Ignition
	Natural Gas	Propane		Actual	Minimum Opening	Actual	Minimum Opening	Actual	Minimum Opening		Height	Width	EnerGuide	AFUE	Steady State			
GDI-30	15 - 24,500	19 - 24,500	Top	21 3/4"	22"	30 1/16"	28"	17 7/8"	18"	Ceramic	13 5/16"	27 7/8"	64.5%	60.02%	85%	Included	Yes	No

Certified under Canadian and American National Standards.

Roxbury™ 3600

Shown on pages 14 - 15

*Accessories may change unit dimensions



Model	BTU's (Input)		Venting	Height		Front Width		Depth		Glass Type	Viewing Area		Efficiencies			Blower	Mobile Home Certified	Electronic Ignition
	Natural Gas	Propane		Actual	Minimum Opening	Actual	Minimum Opening	Actual	Minimum Opening		Height	Width	EnerGuide	AFUE	Steady State			
GI3600	16 - 24,000	17 - 22,000	Top	17 1/4"	17 1/2"	25"	25 1/2"	17 1/2"	16 1/2"	Ceramic	11 3/4"	29 3/4"	62.3%	-	76%	Included	No	No

Certified under Canadian and American National Standards.

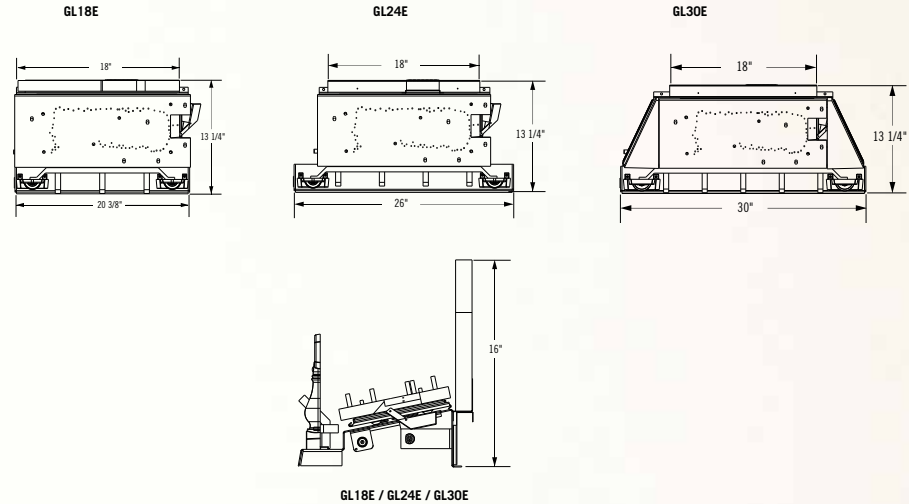
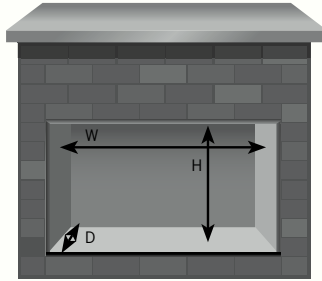
Figures may vary with individual conditions such as floor plan layout, insulation value/heat loss of the house and geographical location. Measurements to be used as a guide only. Consult your owner's manual for complete and up-to-date installation instructions and proper clearances to combustible materials.

Fiberglow™ Vented Gas Log Sets

Shown on pages 18 - 19

Model	Minimum Size Fireplace Opening		
	Height*	Width	Depth
18" GL18E	18"	22"	14"
24" GL24E	20"	28"	14"
30" GL30E	22"	34"	14"

*Allow 4-6" additional height for optimum flame appearance.
 Certified under Canadian and American National standards:
 CSA 2.26, ANSI Z21.60 decorative gas appliances for
 installation in solid-fuel burning appliances.

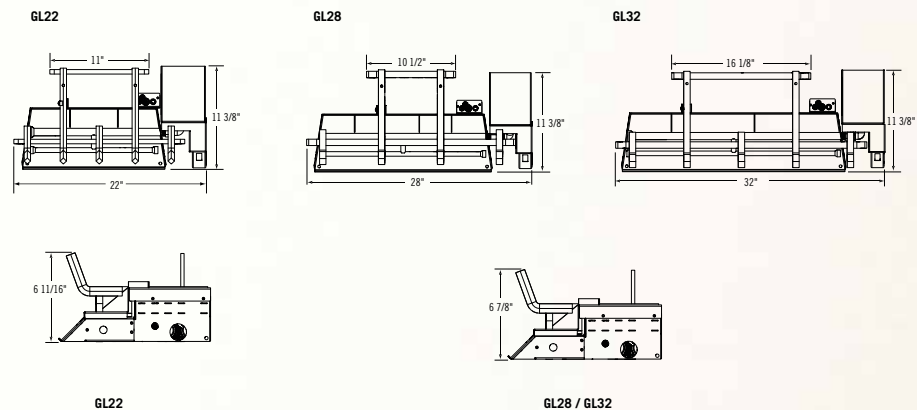
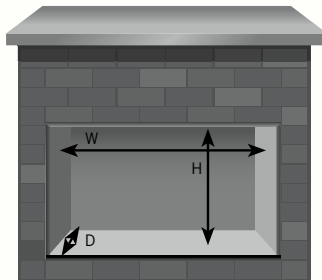


Verso™ Vented Gas Log Sets

Shown on pages 20 - 21

Model	Minimum Size Fireplace Opening		
	Height	Width	Depth
22" GL22	20"	23"	14"
28" GL28	20"	29"	14"
32" GL32	22"	33"	14"

Certified under Canadian and American National standards:
 CSA 2.26, ANSI Z21.60 decorative gas appliances for
 installation in solid-fuel burning appliances.



Figures may vary with individual conditions such as floor plan layout, insulation value/heat loss of the house and geographical location.
 Measurements to be used as a guide only. Consult your owner's manual for complete and up-to-date installation instructions and proper clearances to combustible materials.



NAPOLEON - CELEBRATING OVER 40 YEARS OF HOME COMFORT PRODUCTS



24 Napoleon Road, Barrie, Ontario, Canada L4M 0G8
103 Miller Drive, Crittenden, Kentucky, USA 41030
7200 Trans Canada Highway, Montreal, Quebec, Canada H4T 1A3

Tel: 1-866-820-8686
napoleon.com



Authorized Dealer

Due to room reflections and printing processes, actual colors of fireplaces, finishes and accessories may vary slightly. Consult your owner's manual for complete installation instructions, accurate framing dimensions and proper clearances to combustible material. Check all local and national building codes. All specifications are subject to change without prior notice due to on-going product improvements. Products may not be exactly as shown. Napoleon is a registered trademark of Wolf Steel Ltd. © Wolf Steel inc.

Printed in Canada
ADBRSBI 01/2019